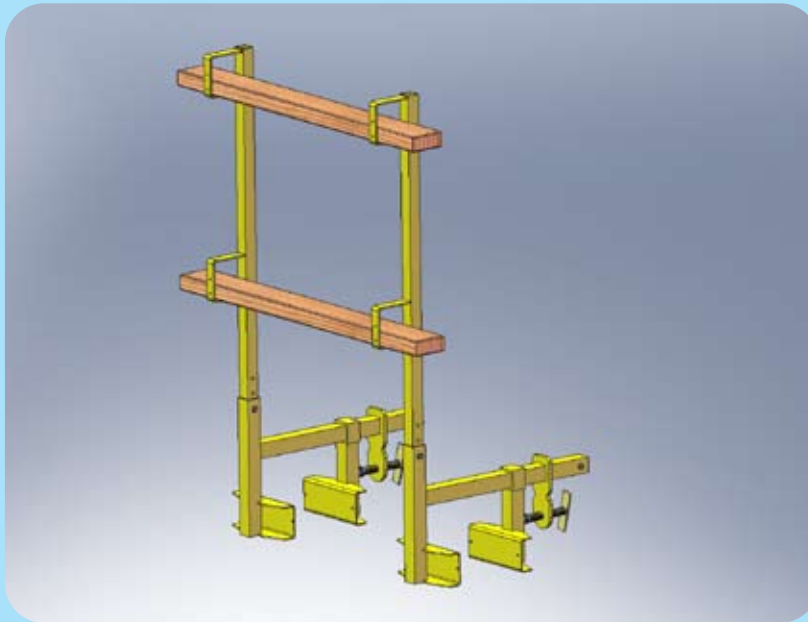


VERSA-CLAMP

The Versa Clamp is the most versatile guardrail C-Clamp in the market place for Fall Protection. Use it on parapets as well as concrete slabs to provide the Fall Protection your workers deserve. The compression plates are off-set so they will not damage copings or flashings on parapets. Its unique compression locking system makes it Simple and Fast to install. Simply place the clamp over a parapet or on a concrete slab and slide the compression plate against the surface. Turn the compression rod against the plate and you are finished. Made in the USA and built tough.



KEY FEATURES

- ▶ Expands from 2" to 16"
- ▶ Simple and fast compression locking system
- ▶ Compression Plates are off-set to protect copings and flashings
- ▶ Adjustable guardrail post allows it to comply with OSHA guardrail heights from the work surface
- ▶ Install at 8 foot increments
- ▶ Use on parapets or decking applications
- ▶ Toe Board Brackets are available for deck applications.
- ▶ Adaptors for Kwik Rail are available for permanent placement on buildings
- ▶ Tough Safety Yellow Powder Coat Finish
- ▶ Other colors are available to match your building
- ▶ Custom manufacturing available to meet your special requirements



A COMPANY OF INNOVATION - NOT IMITATION