

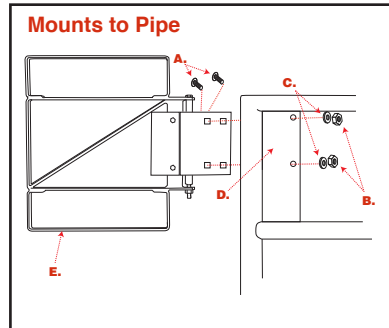
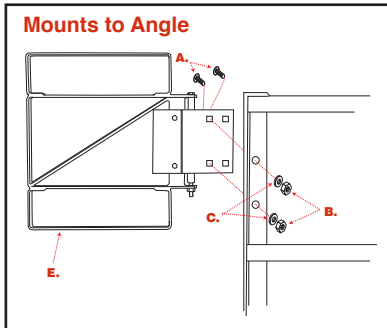
FABENCo, Inc.

“The Safety Gate Company”

Mounting Tips

ZT Series

The FabEnCo ZT Series Self-Closing Safety Gate can be installed on all types of handrails (angle, flatbar, pipe) or to existing walls. It can be mounted left or right, on either side of a handrail. You can choose a standard or 90° stop position. Once installed, our custom stainless steel spring automatically closes the gate after each passage.



Hardware

Parts

Quantity

- | | |
|------------------------------------------|---|
| A. 5/8" Zinc-Plated Carriage Bolts | 2 |
| B. 5/8" Zinc-Plated Heavy Hex Nuts..... | 2 |
| C. 5/8" Zinc-Plated Lock Washers..... | 2 |
| D. Pipe Post Adapter..... | 1 |
| E. Mounting Plate/Assembly Frame..... | 1 |
- (with 1 Stop Plate)

Suggested Tools: 1-1/16" Socket

Angle Post Installation

Step 1: Using the Pipe Post Adapter (D - see “Mounts to Pipe” illustration) as a template, drill two holes in the angle post to fit preferred bolt position.

Step 2: Insert the 5/8" Carriage Bolts (A) through the holes and fasten the gate to the post with the 5/8" Heavy Hex Nuts (B) and 5/8" Lock Washers (C).

Pipe Post Installation

Step 1: Weld the Pipe Post Adapter (D) to the pipe post.

Step 2: Insert the 5/8" Carriage Bolts (A) through the holes and fasten the gate to the post with the 5/8" Heavy Hex Nuts (B) and 5/8" Lock Washers (C).

Toe Board Kit

The FabEnCo Toe Board Kit is a clamp-on extension for Z Gates that provides continued handrail/toe board protection across the ladderway opening.

Step 1: Pull Toe Board Frame open to match safety gate frame.

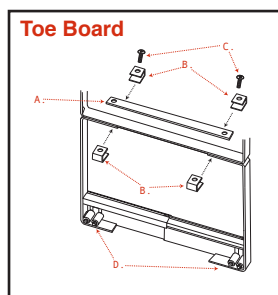
Step 2: Center Spacer Bar (A) on bottom rail of safety gate.

Step 3: Align top of Toe Board Frame with safety gate frame.

Step 4: Slide Clamp Clips (B) in place and align holes with threaded holes in Spacer Bar (A).

Step 5: Tighten Clamp Clips (B) to Spacer Bar (A) with Clip Bolts (C) to secure assembly.

Step 6: Set Toe Board height and secure Height Adjustment “U” Bolts (D) using a 11/16" socket.



Hardware

Parts

Quantity

- | | |
|--------------------------------------|---|
| A. Spacer Bar..... | 1 |
| B. Clamp Clips | 4 |
| C. Clip Bolts | 2 |
| D. Height Adjustment “U” Bolts | 2 |

Suggested Tools: 7/32" Allen Wrench and 11/16" Socket