

FABENCo, Inc.

“The Safety Gate Company”

Mounting Tips Z Series

The FabEnCo Z Series Self-Closing Safety Gate can be installed on all types of handrails (angle, flatbar, pipe) or to existing walls. It can be mounted left or right, on either side of a handrail. You can choose a standard or 90° stop position. Once installed, our custom stainless steel spring automatically closes the gate after each passage.

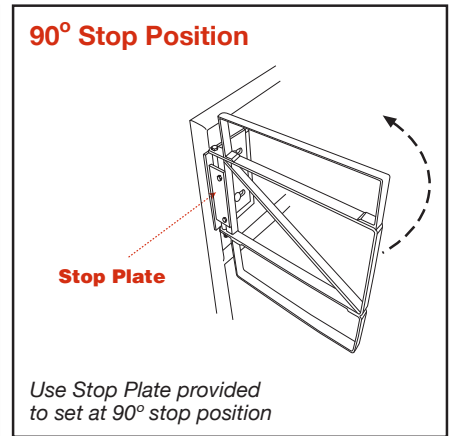
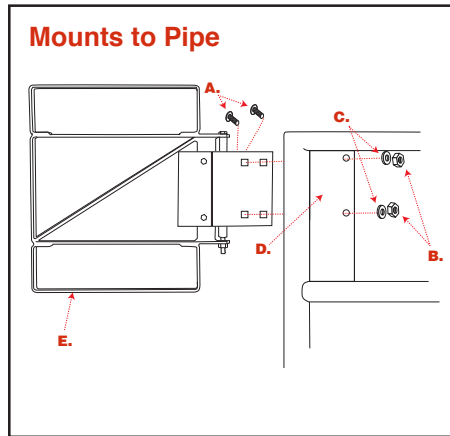
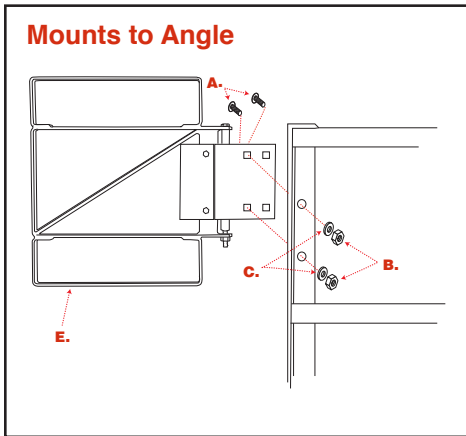
Hardware

Parts

A. 5/8" Zinc-Plated Carriage Bolts	2
B. 5/8" Zinc-Plated Heavy Hex Nuts	2
C. 5/8" Zinc-Plated Lock Washers	2
D. Pipe Post Adapter.....	1
E. Mounting Plate/Assembly Frame	1

(with 1 Stop Plate)

Quantity



Angle Post Installation

Step 1:

Using the Pipe Post Adapter (D - see “Mounts to Pipe” illustration) as a template, drill two holes in the angle post.

Step 2:

Insert the 5/8" Carriage Bolts (A) through the holes and fasten the gate to the post with the 5/8" Heavy Hex Nuts (B) and 5/8" Lock Washers (C).

Pipe Post Installation

Step 1:

Weld the Pipe Post Adapter (D) to the pipe post.

Step 2:

Insert the 5/8" Carriage Bolts (A) through the holes and fasten the gate to the post with the 5/8" Heavy Hex Nuts (B) and 5/8" Lock Washers (C).

Suggested Tools: 1-1/16" Socket