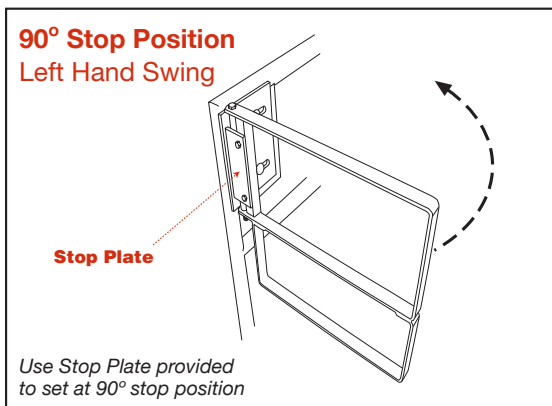
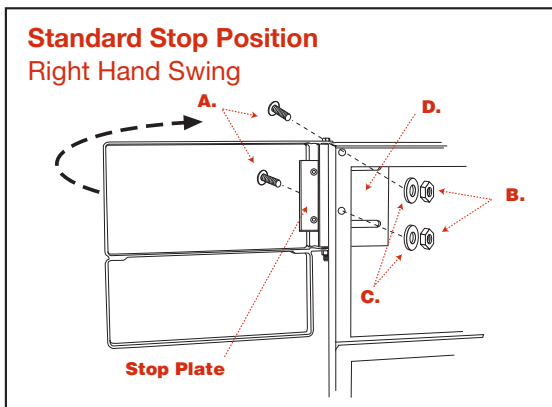
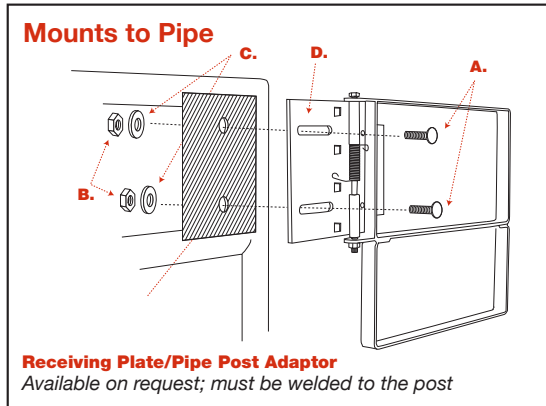
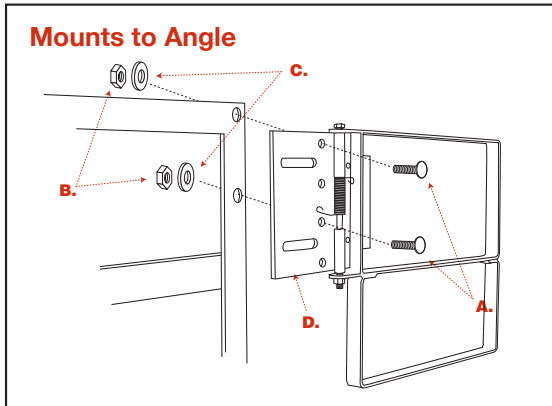


FABENCo, Inc.

“The Safety Gate Company”

Mounting Tips RX Series

The FabEnCo RX Series Self-Closing Safety Gate can be installed on all types of handrails (angle, flatbar, pipe.
Choose standard or 90° stop positions.



Hardware

Parts

Quantity

- | | |
|--|---|
| A. 5/8" Zinc-Plated Carriage Bolts | 2 |
| B. 5/8" Zinc-Plated Heavy Hex Nuts | 2 |
| C. 5/8" Zinc-Plated Lock Washers | 2 |
| D. Mounting Plate/Assembly Frame | 1 |
- (with 1 Stop Plate)

Angle Post Installation

Step 1: Drill two holes in the angle post to fit preferred bolt position.

Step 2: Insert the 5/8" Carriage Bolts (A) through the holes and fasten the gate to the post with the 5/8" Heavy Hex Nuts (B) and 5/8" Lock Washers (C).

Pipe Post Installation

Step 1: Weld the Receiving Plate to the pipe post.

Step 2: Insert the 5/8" Carriage Bolts (A) through the holes and fasten the gate to the post with the 5/8" Heavy Hex Nuts (B) and 5/8" Lock Washers (C).

Suggested Tools: Adjustable Wrench and Socket Set with 1-1/16" and 9/16" Sockets