

# FABENCo, Inc.

“The Safety Gate Company”

## Mounting Tips

### R Series

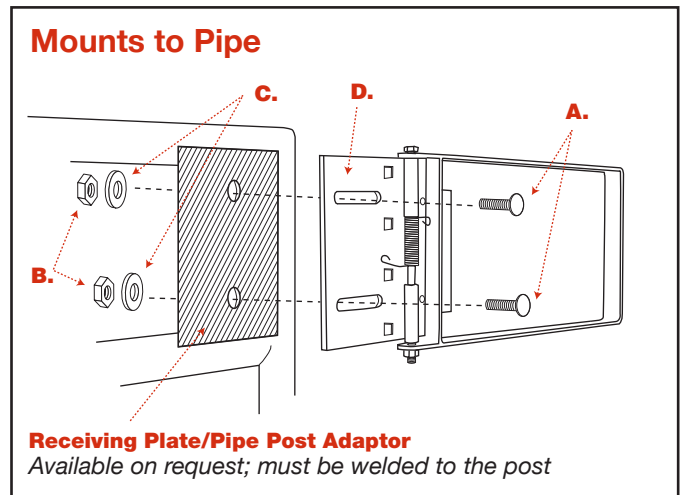
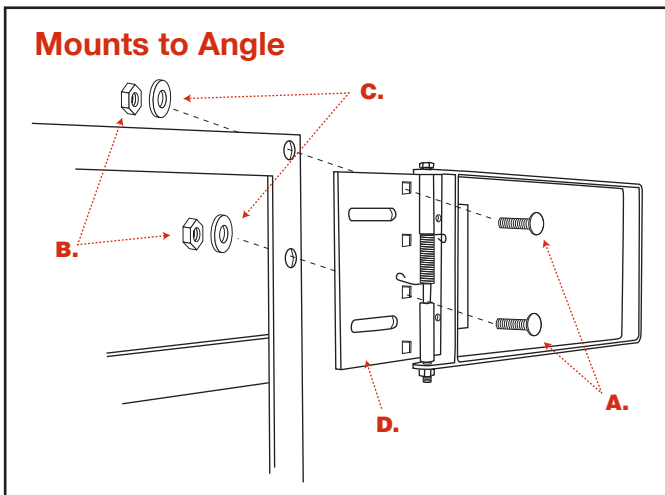
The FabEnCo R Series Self-Closing Safety Gate can be installed on all types of handrails (angle, flatbar, pipe).  
Choose standard or 90° stop positions.

#### Hardware

##### Parts

A. 5/8" Zinc-Plated Carriage Bolts .....	2
B. 5/8" Zinc-Plated Heavy Hex Nuts .....	2
C. 5/8" Zinc-Plated Lock Washers .....	2
D. Mounting Plate/Assembly Frame .....	1
<i>(with 1 Stop Plate)</i>	

##### Quantity



**Receiving Plate/Pipe Post Adaptor**  
*Available on request; must be welded to the post*

#### Angle Post Installation

**Step 1:** Drill two holes in the angle post to fit preferred bolt position.

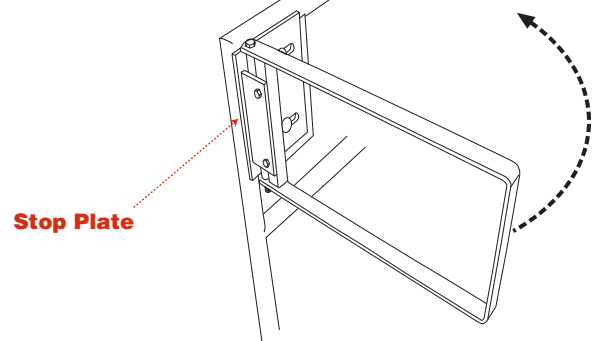
**Step 2:** Insert the 5/8" Carriage Bolts (A) through the holes and fasten the gate to the post with the 5/8" Heavy Hex Nuts (B) and 5/8" Lock Washers (C).

#### Pipe Post Installation

**Step 1:** Weld the Receiving Plate to the pipe post.

**Step 2:** Insert the 5/8" Carriage Bolts (A) through the holes and fasten the gate to the post with the 5/8" Heavy Hex Nuts (B) and 5/8" Lock Washers (C).

#### 90° Stop Position



*Use Stop Plate provided to set at 90° stop position*

**Suggested Tools:** Adjustable Wrench and Socket Set with 1-1/16" and 9/16" Sockets



**FABENCo, Inc.**  
“The Safety Gate Company”

Made in the USA

