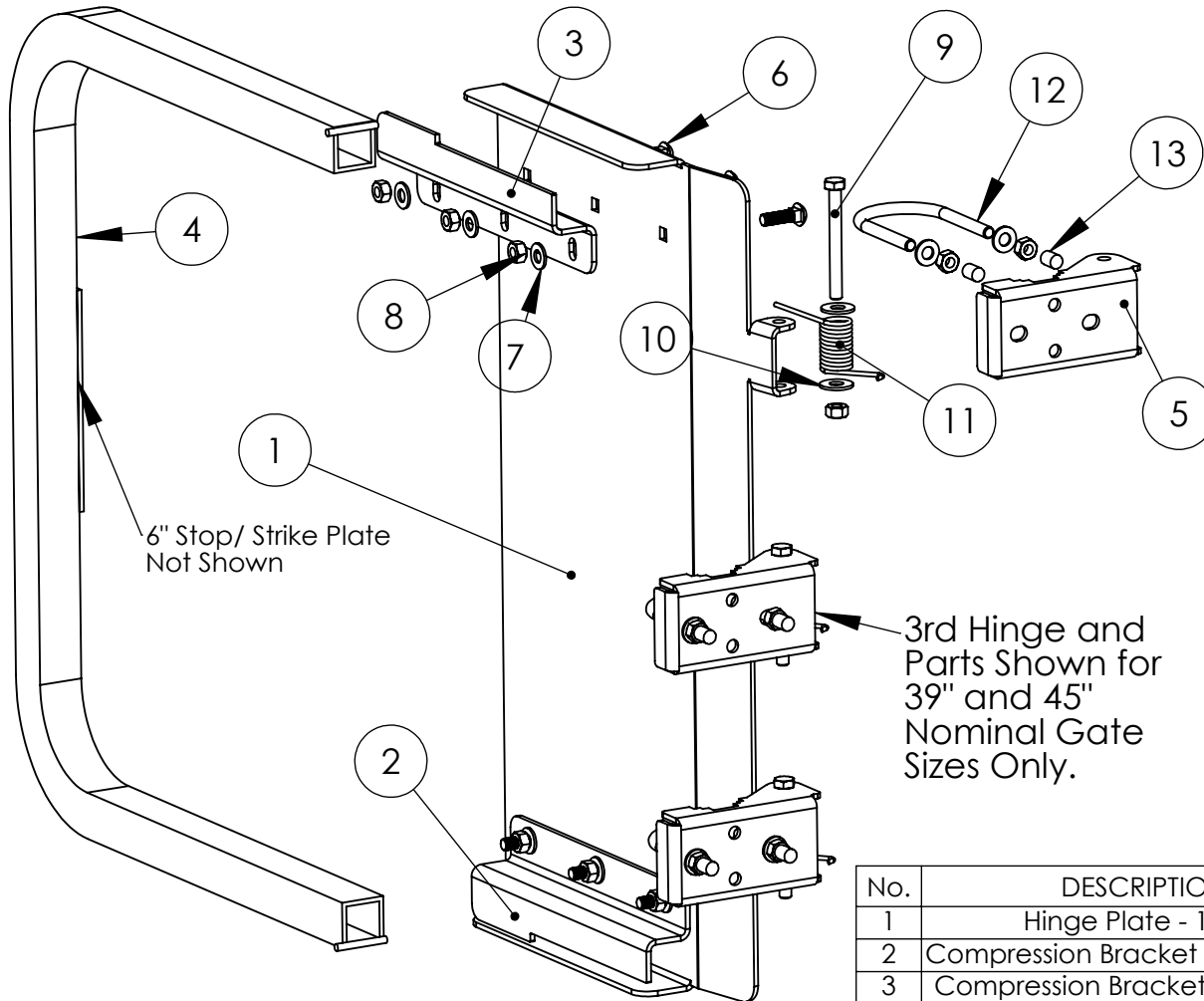


## Installation Instructions for the BlueWater Mfg. Guard Dog Safety Gate

Thank you for purchasing the Guard Dog Safety Gate. Our Ladder Safety Gate is designed to be simple and easy to install. The gate is shipped fully assembled with all the mounting hardware conveniently packaged and attached to the gate.



### **Available Finishes:**

- Powder Coat
- Hot Dip Galv
- 316 Stainless Steel

No.	DESCRIPTION	QTY.
1	Hinge Plate - 10Ga	1
2	Compression Bracket Right - 10Ga	1
3	Compression Bracket Left - 10Ga	1
4	Gate Arm - 1-1/4" SQ. 11Ga	1
5	Hinge Bracket - 10Ga	2
6	Carriage Bolt 5/16 - 18 X 2	6
7	5/16 Flat Washer	10
8	Hex Nut 5/16	12
9	HBolt 5/16- 18 x 3	2
10	Nylon Washer	4
11	SST Spring	2
12	U-Bolt	2
13	U-Bolt Cap	4
14	Bumper Stop - Not Shown	1

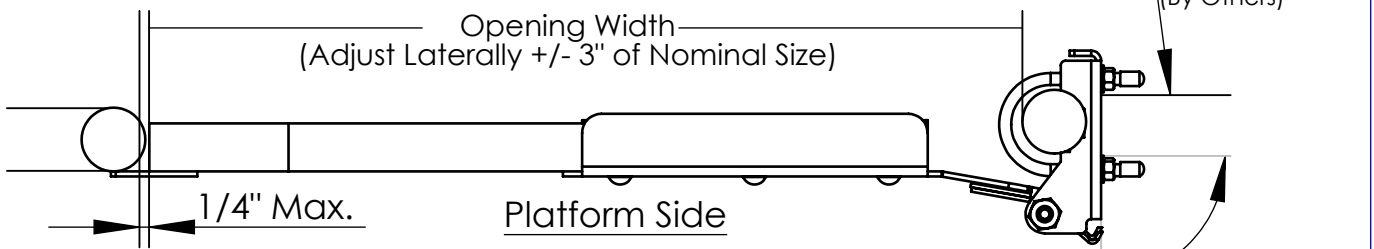
### **What is the OSHA Requirement?**

OSHA 29CFR 1910.23 - Guarding of Floor, Wall Openings and Holes

"(a)(2) Every ladderway floor opening or platform shall be guarded by a standard railing with standard toeboard on all exposed sides (except at entrance to opening), with the passage through the railing either provided with a swinging gate or so offset that a person cannot walk directly into the opening.

## Standard Installation - Railings up to 2" Square/ Round

(Large dia. post adaptor kits available - Contact BlueWater Mfg. )

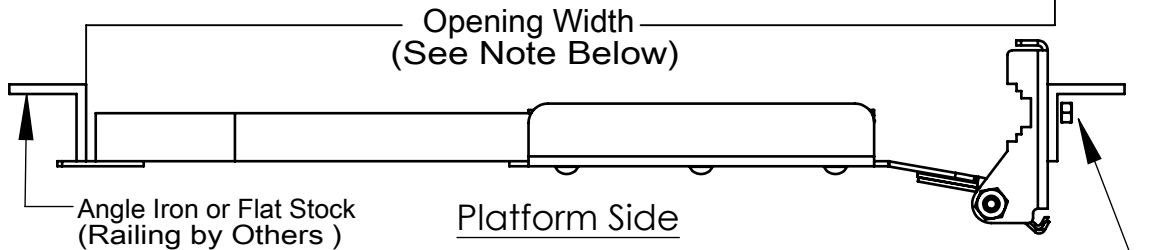


Note:  
Contact BlueWater Mfg. for special installations/ or modifications

Always field verify completed installation  
for adequate performance.

## Installation for Angle Iron/ Flat Stock Railing

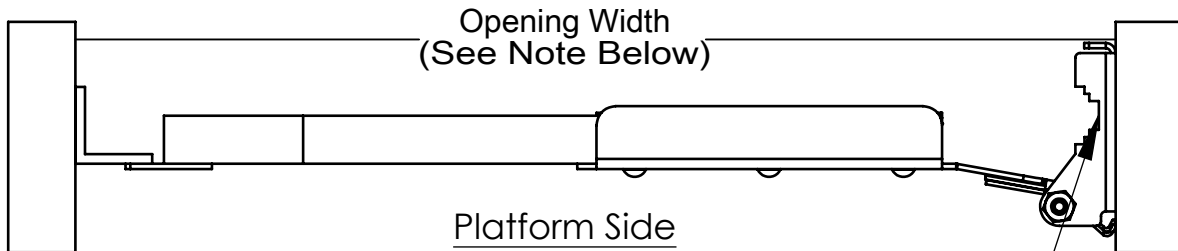
(Compression adaptor kits available - Contact BlueWater Mfg. )



NOTE:  
For inside face mount, order gate size 2-1/2"  
narrower than the opening width (see diagram above )  
Contact BlueWater Mfg. for special instructions/ or modifications.

Attach w/appropriate  
mechanical fasteners or weld  
in place (By Others )

## Installing on Wall/ Flat Surface



NOTE:  
For inside face mount, order gate size 2-1/2"  
narrower than the opening width (see diagram above )  
Contact BlueWater Mfg. for special instructions/ or modifications.

Attach w/appropriate  
mechanical fasteners or weld  
in place (By Others )

### Tools Required:

- 1/2" Deep Socket or wrench (U-Bolt Installation)

The steps below are a general guideline for a single gate installation on a railing post up to 2" square/round. Individual installation may vary, therefore, load capabilities of a gate are dependent on proper installation and existing structure. **Always field verify completed installation for adequate performance.**

### Step 1:

Loosely attach ladder safety gate hinge assembly to vertical column of railing with provided U-Bolts (or select appropriate field fasteners for other types of installations). do not tighten as additional adjustment may be required.

### Step 2:

Adjust top of the safety gate to match top of railing.

### Step 3:

Align hinge bracket to be perpendicular (90deg) to ladder safety gate and opening.

### Step 4:

Adjust gate hoop to proper opening width. This can be achieved by loosening the compression brackets and sliding the gate to the required opening. Insure stop/strike plate overlaps and contacts adjacent column of railing system (opposite of hinge side) allowing for 1/4" maximum clearance. Do not let hoop stop bar out of the slot on the clamp. **Retighten the compression clamps.**

### Step 5:

Operate gate through full swing range (180 deg max.) to insure proper alignment before permanent attachment. **If mounting to pipe/railing, tighten each U-Bolt to 20 ft/lbs of torque and field verify for adequate attachments (all types of installations.)**

