

FABENCo, Inc.

“The Safety Gate Company”

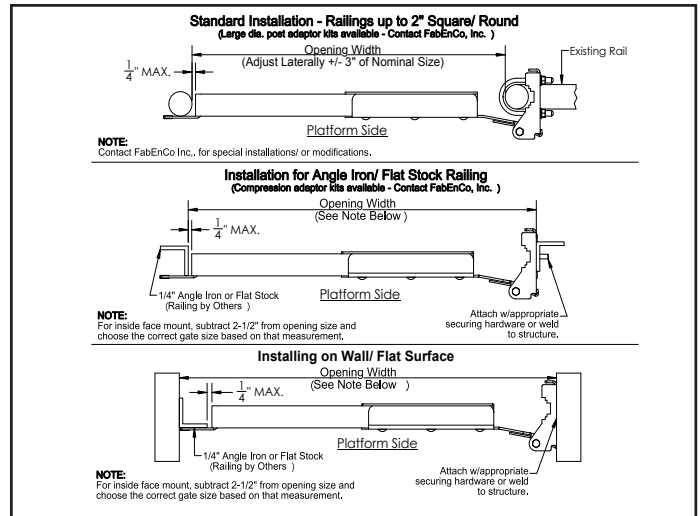
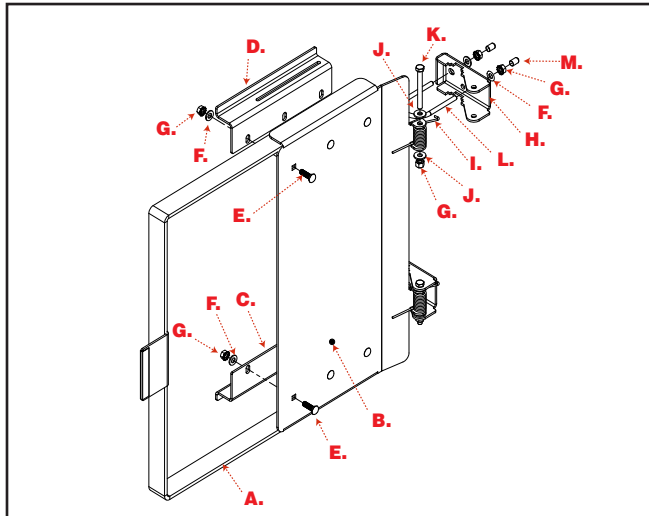
Mounting Tips

G Series

The FabEnCo Self-Closing safety gate can be easily installed in minutes on all types of handrails (angle, flatbar, pipe) or to existing walls. It can be mounted left or right, on either side of a handrail. The safety gate’s stainless steel springs automatically close the gate after each passage.

Hardware

| Parts | Quantity | Parts | Quantity |
|------------------------------------|----------|---------------------------------|----------|
| A. Frame Weldment | 1 | H. Hinge Brackets | 2 |
| B. Hinge Plate..... | 1 | I. Stainless Steel Springs..... | 2 |
| C. Compression Clamp - R..... | 1 | J. 5/16” Nylon Washers..... | 4 |
| D. Compression Clamp - L..... | 1 | K. 5/16” x 3” Hex Bolts | 2 |
| E. 5/16” x 2” Carriage Bolts | 6 | L. 5/16” U-Bolts..... | 2 |
| F. 5/16” Washers | 10 | M. Rubber Caps | 4 |
| G. 5/16” KEPS Nuts | 12 | | |



Step 1:

Lightly attached safety gate hinge assemblies to vertical upright of railing with provided U-Bolts (or select appropriate field fasteners for other types of installations). Do not tighten the nuts at this stage of the installation.

Step 2:

Slide the gate into position so the top of the gate matches the top of the railing.

Step 3:

Align hinge bracket to be 90° to safety gate and opening.

Step 4:

Adjust gate frame to proper opening width by loosening the compression brackets and sliding frame. Insure stop/strike plate overlaps and contacts adjacent upright of railing, allowing for 1/4” maximum clearance. Do not let the frame stop pin out of the slot on the compression clamps. Retighten the compression clamps.

Step 5:

Operate gate through full swing range to insure proper alignment prior to tightening nuts. Tighten each U-Bolt.

Suggested Tools: 1/2” Deep Socket or wrench (for standard pipe installation – 2” O.D. or less)